

ABOUT US

With over 30 years experience in the handling tool business the Hamburg Oil Tools Team produces, supplies, services and maintains Pipe Handling Equipment for the Oil and Gas Industry, On- and Offshore, as well as for Geothermal Drilling. Our equipment is made to connect, hold and lift various kind of pipes like tubing, casing, drill collars and drill pipe. We serve the oilfield industry with our mission critical pipe handling tools to drill and complete all sorts of different wells.

Our focus is to provide customised solutions for the drilling industry as well as standard designs according to API. To complement our own product portfolio we can furnish you with OEM Products of well known suppliers.

By founding Hamburg Oil Tools we will deliver on the following promise to our faithful customers:

We supply handling tools of highest quality, MADE IN GERMANY, and we support our customers always!«



ENGINEERING

STANDARD TOOLS AND CUSTOMISED SOLUTIONS

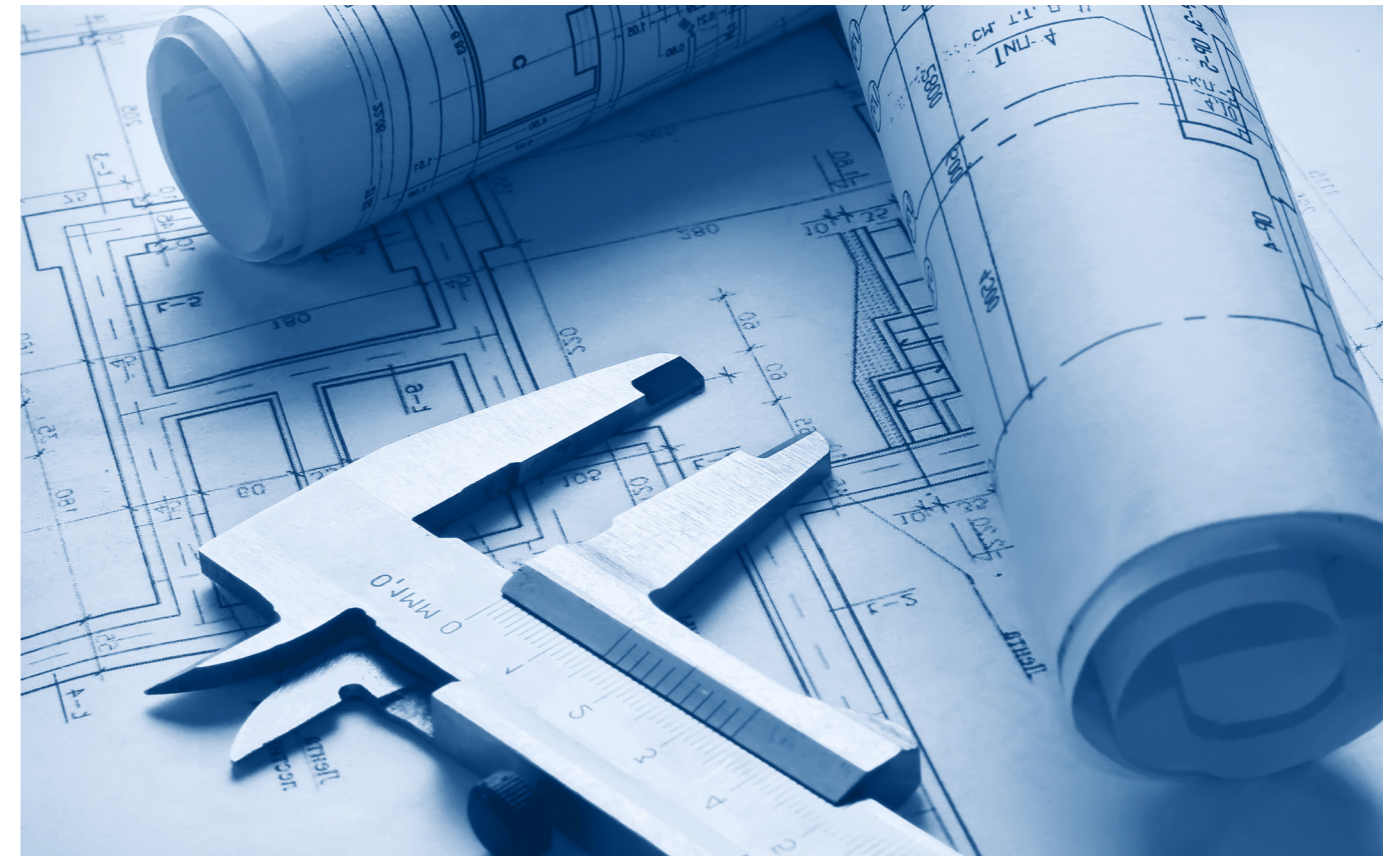
Our engineering is based on long time experiences. To reach highest quality and fulfil highest safety standards we are designing our tools with state of the art design programs.

3D design and Finite Element Method (FEM) allow us to give our tools the perfect fit. Using high grade steel highest safety factors are achieved.

The design process includes overload tests according to API rules and regulations to ensure maximum strength and safety of our products.

Customised solutions and standard tools according

to API are our focus. Special Adapter Rings, customised Elevators or Insert Bowls according to your requirements can be designed per your specification.



QUALITY



The satisfaction of our customers and related parties is our highest priority. You are our valued partners, and we offer you an unrivalled level of service and support. To exceed your expectations, we continually work to improve the quality of our products, processes, and services.

The implementation of our quality policy is the responsibility of all our staff members!

API

We are certified by API and hold the licenses API 8C-0322 and API 7K-0513. Our product design, production process and material criteria following the required API standards.

ISO 9001:2015

Our Quality Management System is certified according to ISO 9001:2015 for the Production, Sales, Service and Repair of Pipe Handling Equipment for the Oil and Gas Industry.

THIRD PARTY CERTIFICATION (DNV GL / ABS)

Certification such as DNV GL, ABS or others can be accomplished.

OUR PRODUCTS

ELEVATOR LINKS (BAILS)

Elevator Links (Bails) need to perform daily under highest loads in harsh environments. Forged in one piece from a special high grade alloy steel, our Elevator Links get their maximum tensile strength.

Ranging from 350 – 500 short tons our Elevator Links connect Elevators to all standard API top drive systems. We are happy to fulfill special customer requirements upon request.

TECHNICAL DATA

Capacity 350 – 500 tons

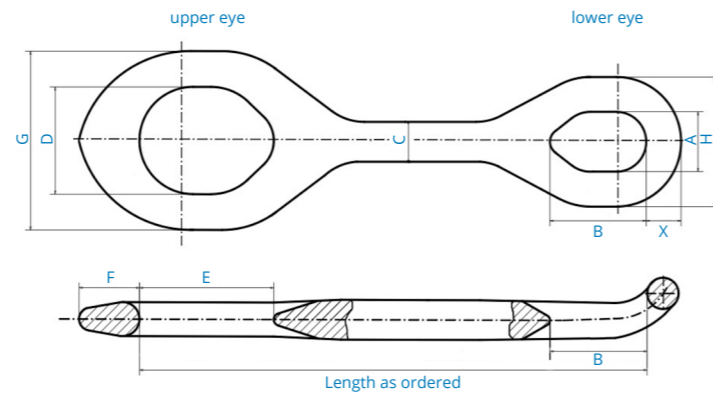
Range Length from 48" to 720"

Certification API 8C, CE & ATEX marked



FEATURES

- Weldless design
- High grade steel for highest strength
- API 8C certified
- Suitable for all standard API top drives
- Customised Links on request
- CE & ATEX marked
- MADE IN GERMANY



LINKS (BAILS)

350T ELEVATOR LINK

PART NUMBER	LINK SIZE <i>(more sizes upon request)</i>	LOAD RATING <i>short tons</i>	WEIGHT <i>kg / lbs</i>
350108-Y	2.3/4" x 108"	350	420 / 926
350120-Y	2.3/4" x 120"	350	450 / 992
350132-Y	2.3/4" x 132"	350	480 / 1058
350144-Y	2.3/4" x 144"	350	510 / 1124
350180-Y	2.3/4" x 180"	350	600 / 1323
350216-Y	2.3/4" x 216"	350	690 / 1521

Dimensions * 350 ton Link

X	A	B	C	D	E	F	G	H
2.3/4"	5.1/4"	8.1/2"	3.1/2"	9.3/8"	11.3/4"	5.1/4"	15.3/4"	11.1/2"

500T ELEVATOR LINK

PART NUMBER	LINK SIZE <i>(more sizes upon request)</i>	LOAD RATING <i>short tons</i>	WEIGHT <i>kg / lbs</i>
500108-Y	3.1/2" x 108"	500	630 / 1389
500120-Y	3.1/2" x 120"	500	680 / 1499
500132-Y	3.1/2" x 132"	500	730 / 1609
500144-Y	3.1/2" x 144"	500	780 / 1720
500180-Y	3.1/2" x 180"	500	930 / 2050
500216-Y	3.1/2" x 216"	500	1080 / 2381

Dimensions * 500 ton Link

X	A	B	C	D	E	F	G	H
3.1/2"	6.3/4"	10.1/2"	4.3/4"	9.5/8"	12"	6"	17.3/8"	14"

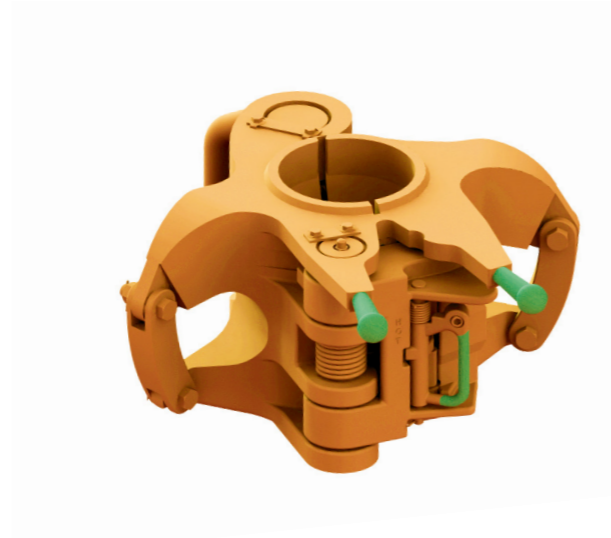
* all dimensions in acc. to forging standard EN 10243-1

Technical data are subject to change

CENTER LATCH ELEVATOR

Our Center Latch Elevators are produced under highest quality standards. Casted from a special high grade alloy steel, the Elevators get their unique characteristics to perform under maximum loads in harsh environments. Equipped with premium components they are finished at best quality – MADE IN GERMANY.

We offer this type of Elevator to covers pipe sizes from 3.1/2" to 6.5/8" OD and loads from 250 – 350 short tons. The Industry is using our design in manual or hydraulic version to handle drill pipes with highest safety. Standard designs as well as customised solutions are our focus.



TECHNICAL DATA

Capacity 250 – 350 short tons

Range 3.1/2" – 6.5/8"

Shoulder 18° or 90°

Dimensions See table on right

Weight 235 – 330 kg

Certification API 8C, CE & ATEX marked

FEATURES

- High grade steel for highest strength
- API 8C certified
- Interchangeable with other brands
- Customised tools on request
- CE & ATEX marked
- MADE IN GERMANY

MANUAL CENTER LATCH ELEVATOR

250 SHORT TONS

PART NUMBER	PIPE SIZE (O.D.), 18° TAPER*	LOAD RATING <i>short tons</i>	LINK SIZE <i>short tons</i>	WEIGHT <i>kg / lbs</i>	WIDTH (A) <i>mm</i>	LENGTH (B) <i>mm</i>	HEIGHT (C) <i>mm</i>
110250-Y-105	3.1/2" EU Drill Pipe	250	250 – 500	250 / 551	685	750	335
110250-Y-106	4" IU Drill Pipe	250	250 – 500	250 / 551	685	750	335
110250-Y-107	4" EU & 4.1/2" IU, EU Drill Pipe	250	250 – 500	245 / 540	685	750	335
110250-Y-109	4.1/2" EU & 5" IEU Drill Pipe	250	250 – 500	240 / 529	685	750	335
110250-Y-111	5.1/2" IEU Drill Pipe	250	250 – 500	235 / 518	685	750	335

350 SHORT TONS

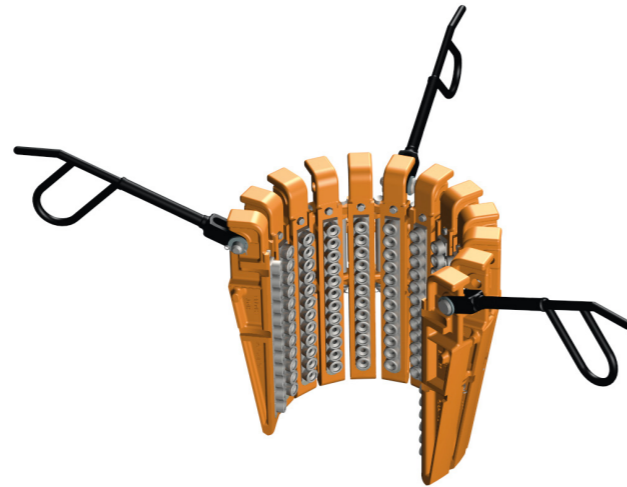
PART NUMBER	PIPE SIZE (O.D.), 18° TAPER*	LOAD RATING <i>short tons</i>	LINK SIZE <i>short tons</i>	WEIGHT <i>kg / lbs</i>	WIDTH (A) <i>mm</i>	LENGTH (B) <i>mm</i>	HEIGHT (C) <i>mm</i>
110350-Y-105	3.1/2" EU Drill Pipe	350	250 – 500	330 / 728	705	800	360
110350-Y-106	4" IU Drill Pipe	350	250 – 500	330 / 728	705	800	360
110350-Y-107	4" EU & 4.1/2" IU, EU Drill Pipe	350	250 – 500	325 / 717	705	800	360
110350-Y-109	4.1/2" EU & 5" IEU Drill Pipe	350	250 – 500	320 / 705	705	800	360
110350-Y-111	5.1/2" IEU Drill Pipe	350	250 – 500	315 / 695	705	800	360
110350-Y-114	6.5/8" EU Drill Pipe with 8.1/4" & 8.1/2" Tool Joint	350	250 – 500	300 / 661	705	800	360

* Other sizes or pipe specification upon request

Technical data are subject to change

MANUAL SLIPS

Forged from a special high grade steel, our Manual Slips get their typical characteristics to perform under maximum loads in harsh environments. We offer different types of Manual Slips to handle Drill Pipes, Drill Collars and Casings ranging from 3" to 36" OD. Our design is easy to handle and interchangeable with other major brands. It fits to all standard API insert bowls with a taper of 4"/ft on the diameter.



TECHNICAL DATA

Types Drill Pipe, Drill Collar and Casing Slips

Range 3" – 36"

Certification API 7K, CE & ATEX marked

All Slips have an API Taper of 4"/ft on the diameter

FEATURES

- 🔗 Forged material for highest strength
- 🔗 API 7K certified
- 🔗 Interchangeable with other brands
- 🔗 Fit to standard API insert bowls with a taper of 4"/ft
- 🔗 Flex Handles optional
- 🔗 CE & ATEX marked
- 🔗 MADE IN GERMANY

CASING SLIPS

COMPLETE SLIP WITH BUTTONS			SPARE PARTS		
PART NUMBER	PIPE SIZE (O.D.)	USED IN BOWL #	PART NUMBER <i>(single button)</i>	QTY TOTAL	PART NUMBER <i>(set of buttons)</i>
210110	6.5/8" OD Casing	bowl #3	211155	144	211155-144
210120	7" OD Casing	bowl #3	211150	144	211150-144
210130	7.5/8" & 7.3/4" OD Casing	bowl #3	211156	144	211156-144
210140	8.5/8" OD Casing	bowl #3	211156	156	211156-156
210150	9.5/8" & 9.7/8" – 10" OD Casing	bowl #2	211156	168	211156-168
210160	10.3/4" OD Casing	bowl #2	211156	180	211156-180
210170	11.3/4" & 11.7/8" OD Casing	bowl #1	211154	204	211154-204
210180	13.3/8" & 13.1/2" OD Casing	bowl #1	211156	216	211156-216
210190	16" & 16.3/4" OD Casing	16" CB	211157	252	211157-252
210200	18.5/8" & 18.3/4" OD Casing	20" CB	211153	300	211153-300
210210	20" OD Casing	20" CB	211157	312	211157-312
210220	24" OD Casing	24" CB	211157	360	211157-360
210230	26" OD Casing	26" CB	211157	396	211157-396
210240	30" OD Casing	30" CB	211157	444	211157-444
211250	32" Conductor Pipe	32" CB	211157	204	211157-204
211260	36" Conductor Pipe	36" CB	211157	228	211157-228

DRILL COLLAR SLIPS SMALL

COMPLETE SLIPS WITH BUTTONS			SPARE PARTS		
PART NUMBER	PIPE SIZE (O.D.)	USED IN BOWL #	PART NUMBER <i>(single button)</i>	QTY TOTAL	PART NUMBER <i>(set of buttons)</i>
212110	3" - 4" OD Drill Collars	bowl #3	210155	49	210155-49
212120	4" - 4.7/8" OD Drill Collars	bowl #3	210151	49	210151-49

DRILL COLLAR SLIPS MEDIUM

COMPLETE SLIPS WITH BUTTONS			SPARE PARTS		
PART NUMBER	PIPE SIZE (O.D.)	USED IN BOWL #	PART NUMBER <i>(single button)</i>	QTY TOTAL	PART NUMBER <i>(set of buttons)</i>
214110	4.1/2" - 6" OD Drill Collars	bowl #3	210155	63	210155-63
214120	5.1/2" - 7" OD Drill Collars	bowl #3	210151	63	210151-63

DRILL COLLAR SLIPS LARGE

COMPLETE SLIPS WITH BUTTONS			SPARE PARTS		
PART NUMBER	PIPE SIZE (O.D.)	USED IN BOWL #	PART NUMBER <i>(single button)</i>	QTY TOTAL	PART NUMBER <i>(set of buttons)</i>
216120	6.3/4" - 8.1/4" OD Drill Collars	bowl #3	210156	88	210156-88
216130	8" - 9.1/2" OD Drill Collars	bowl #3	210156	96	210156-96
216140	8.1/2" - 10" OD Drill Collars	bowl #2	210154	104	210154-104
216150	9.1/4" - 11.1/4" OD Drill Collars	bowl #2	210156	112	210156-112
216160	11" - 12.3/4" OD Drill Collars	bowl #1	210152	136	210152-136
216170	12" - 14" OD Drill Collars	bowl #1	210156	136	210156-136

DRILL PIPE SLIPS MEDIUM

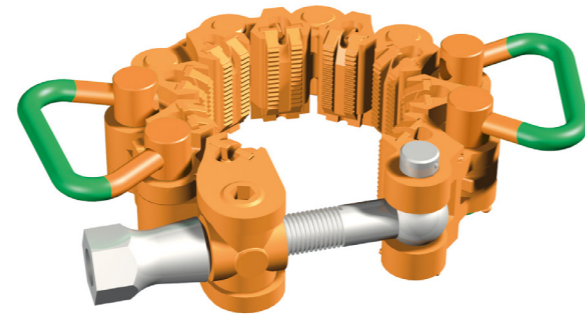
COMPLETE SLIPS WITH BUTTONS			SPARE PARTS		
PART NUMBER	SLIP BODY SIZE	PIPE SIZE <i>(O.D.)</i>	PART NUMBER <i>(single Insert)</i>	QTY TOTAL	PART NUMBER <i>(set of Inserts)</i>
217110	3.1/2"	2.3/8"	200110	30	200110-30
217120	3.1/2"	2.7/8"	200111	30	200111-30
217130	3.1/2"	3.1/2"	200112	30	200112-30

DRILL PIPE SLIPS LARGE

COMPLETE SLIPS WITH BUTTONS			SPARE PARTS		
PART NUMBER	SLIP BODY SIZE	PIPE SIZE <i>(O.D.)</i>	PART NUMBER <i>(single Insert)</i>	QTY TOTAL	PART NUMBER <i>(set of Inserts)</i>
218210	4.1/2"	3.1/2"	200113	54	200113-54
218220	4.1/2"	4"	200114	54	200114-54
218230	4.1/2"	4.1/2"	200115	54	200115-54
218310	5"	4"	200118	54	200118-54
218320	5"	4.1/2"	200116	54	200116-54
218330	5"	5"	200117	54	200117-54
218410	5.1/2"	4.1/2"	200118	54	200118-54
218420	5.1/2"	5"	200119	54	200119-54
218430	5.1/2"	5.1/2"	200120	54	200120-54
218470	5.7/8"	5.7/8"	200120	54	200120-54

SAFETY CLAMPS

Our Safety Clamps are produced under highest quality standards. Casted from high quality raw material our Safety Clamps provide you with the needed security. We offer different sizes of Safety Clamps to secure flush tubulars ranging from 3.1/2" to 36.1/2" OD.



TECHNICAL DATA

Type "C" Safety Clamps

Range 3.1/2" - 36.1/2"

Certification API 7K, CE & ATEX marked

FEATURES

- Casted material for highest strength
- Interchangeable with other brands
- API 7K certified
- CE & ATEX marked
- MADE IN GERMANY

SAFETY CLAMPS

C-CLAMPS

PART NUMBER	PIPE SIZE-RANGE O.D.	NUMBER OF LINKS	WEIGHT <i>kg / lbs</i>
400490	3.1/2" - 4.5/8"	7	22 / 49
400500	3.3/4" - 4.5/8"	7	22 / 49
400501	4.1/2" - 5.5/8"	8	24 / 53
400502	5.1/2" - 6.5/8"	9	26 / 57
400503	6.1/2" - 7 5/8"	10	28 / 62
400504	7.1/2" - 8.5/8"	11	30 / 66
400505	8.1/2" - 9.5/8"	12	31 / 68
400506	9.1/2" - 10.5/8"	13	33 / 73
400507	10.1/2" - 11.5/8"	14	36 / 79
400508	11.1/2" - 12.5/8"	15	39 / 86
400509	12.1/2" - 13.5/8"	16	42 / 93
400510	13.1/2" - 14.5/8"	17	44 / 97
400511	14.1/2" - 15.5/8"	18	46 / 101
400512	15.1/2" - 16.5/8"	18	48 / 106
400513	16.1/2" - 17.5/8"	19	50 / 110
400514	17.1/2" - 18.5/8"	20	52 / 115
400515	18.1/2" - 19.5/8"	21	54 / 119
400516	19.1/2" - 21"	23	56 / 123
400517	21.1/2" - 22.5/8"	24	58 / 128
400518	22 1/2" - 24"	25	60 / 132
400519	24.1/2" - 26"	27	62 / 137
400525	29.1/2" - 30.1/2"	32	102 / 225
400526	35.1/2" - 36.1/2"	38	117 / 258

Technical data are subject to change

CONTACT

CONTACT US WHEREVER YOU ARE

Germany • Asia • Middle East • USA

HEADQUARTERS

Hamburg, Germany

Hamburg Oil Tools GmbH

Hammer Deich 70, Gebäude B
20537 Hamburg Germany

Phone + 49 40 790 908 08

HOT@hamburg-oiltools.com

www.hamburg-oiltools.com

SERVICE AND WAREHOUSE

Singapore

MTQ Engineering Pte Ltd

182 Pandan Loop
Singapore 128373

Phone + 65 67 77 76 51

HOT@mtq.com.sg

www.mtq.com.sg

SERVICE AND WAREHOUSE

Dubai, UAE

HI Energy FZC

Warehouse LV-38 / D, PO Box 42378
Hamriyah Free Zone, Sharjah, UAE

Phone + 971 509 10 88 08

bdm@hi-energyservices.com

www.hi-energyservices.com

SERVICE AND WAREHOUSE

Texas, USA

RFR Vertex, LLC

11355 FM 830
Willis, Houston, TX 77318, USA

Phone + 1 936 701 4141

sales@rfrvertex.com

www.rfrvertex.com





CONTACT US WHEREVER YOU ARE
Germany • Asia • Middle East • USA