

ELEVATOR LINKS (BAILS)



ELEVATOR LINKS (BAILS)

Elevator Links (Bails) need to perform daily under highest loads in harsh environments. Forged in one piece from a special high grade alloy steel, our Elevator Links get their maximum tensile strength.

Ranging from 350 – 500 short tons our Elevator Links connect Elevators to all standard API top drive systems. We are happy to fulfill special customer requirements upon request.

TECHNICAL DATA

Capacity 350 – 500 tons

Range Length from 48" to 720"

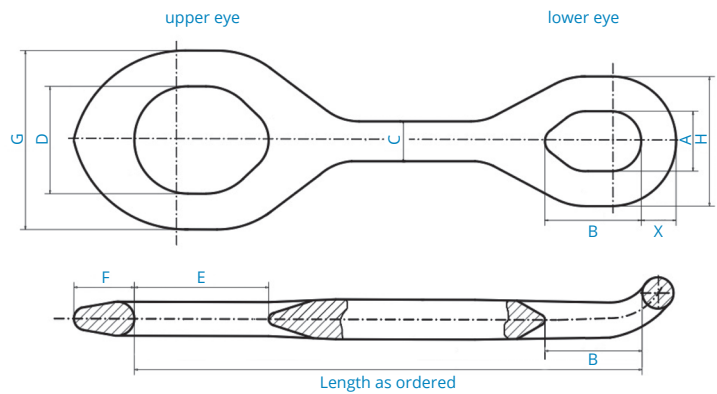
Certification CE & ATEX

Manufactured in accordance with API8C-PSL1*

* API8C-PSL2 standard upon request

FEATURES

- ◈ Weldless design
- ◈ High grade steel for highest strength
- ◈ Designed according to API standard
- ◈ Suitable for all standard API top drives
- ◈ Customised Links on request
- ◈ CE & ATEX marked
- ◈ MADE IN GERMANY



LINKS (BAILS)

350T ELEVATOR LINK			
PART NUMBER	LINK SIZE <i>(more sizes upon request)</i>	LOAD RATING <i>short tons</i>	WEIGHT <i>kg / lbs</i>
350108-Y	2.3/4" x 108"	350	420 / 926
350120-Y	2.3/4" x 120"	350	450 / 992
350132-Y	2.3/4" x 132"	350	480 / 1058
350144-Y	2.3/4" x 144"	350	510 / 1124
350180-Y	2.3/4" x 180"	350	600 / 1323
350216-Y	2.3/4" x 216"	350	690 / 1521

Dimensions * 350 ton Link

X	A	B	C	D	E	F	G	H
2.3/4"	5.1/4"	8.1/2"	3.1/2"	9.3/8"	11.3/4"	5.1/4"	15.3/4"	11.1/2"

500T ELEVATOR LINK			
PART NUMBER	LINK SIZE <i>(more sizes upon request)</i>	LOAD RATING <i>short tons</i>	WEIGHT <i>kg / lbs</i>
500108-Y	3.1/2" x 108"	500	630 / 1389
500120-Y	3.1/2" x 120"	500	680 / 1499
500132-Y	3.1/2" x 132"	500	730 / 1609
500144-Y	3.1/2" x 144"	500	780 / 1720
500180-Y	3.1/2" x 180"	500	930 / 2050
500216-Y	3.1/2" x 216"	500	1080 / 2381

Dimensions * 500 ton Link

X	A	B	C	D	E	F	G	H
3.1/2"	6.3/4"	10.1/2"	4.3/4"	9.5/8"	12"	6"	17.3/8"	14"

* all dimensions in acc. to forging standard EN 10243-1

Technical data are subject to change

HEADQUARTERS

Hamburg, Germany

Hamburg Oil Tools GmbH

Peutestr. 8a
20539 Hamburg, Germany

Phone + 49 40 790 908 08

HOT@hamburg-oiltools.com
www.hamburg-oiltools.com

SERVICE AND WAREHOUSE

Singapore

MTQ Engineering Pte Ltd

182 Pandan Loop
Singapore 128373

Phone + 65 67 77 76 51

HOT@mtq.com.sg
www.mtq.com.sg

SERVICE AND WAREHOUSE

Sharjah, UAE

HI Energy FZC

Warehouse LV-07/A, PO Box 42378
Hamriyah Free Zone, Sharjah, UAE

Phone + 971 509 10 88 08

bdm@hi-energyservices.com
www.hi-energyservices.com

SERVICE AND WAREHOUSE

Texas, USA

RFR Vertex, LLC

851 Bordovsky Rd.
La Grange TX 78945, USA

Phone + 1 832 371 92 73

driggs@rfrvertex.com
www.rfrvertex.com



CONTACT US WHEREVER YOU ARE

Germany • Asia • Middle East • USA

© 2017 by Hamburg Oil Tools GmbH